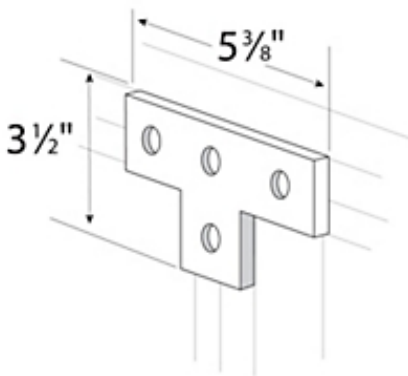




Actual



Line Art

Catalog Number: AB220
Product ID: 7TAA005110R0029
UPC Number: 61601326557
Status: A

Plate, Tee, Height 3-1/2 Inches, Length 5-3/8 Inches, Width 1-5/8 Inches, Hole Diameter 9/16 Inches, Steel

- Excellent corrosion resistance

North American Specifications (UNSPSC)

UNSPSC	31162307 Mounting plates
IGCC	2982 Mounting plates
Type	Fittings, Brackets & Hardware
Special Features	Excellent corrosion resistance
Application	For use in metal framing applications
Material	Steel
Finish	GoldGalv/Standard
Mounting Hole Width	9/16 in
Number Of Holes	4
Width	1-5/8 in
Length	3-1/2 in
Plate Type	Tee

European Specifications (ETIM)

ETIM	EC000483 Coupler for support/profile rail
Suitable for	U-profile
Model	T-connector
With screw accessories	N
Material	Steel
Material quality	Other

Packaging

Outer Quantity	25
Outer Dimensions (inches)	8.25x6.25x4.75
Weight Uom	75 lbs. per 100

Documents / Support Tools

Technical Drawing / Data Sheet US	Available on Website
-----------------------------------	----------------------

For further technical assistance, please contact us...

ABB Installation Products - USA
 860 Ridge Lake Blvd.
 Memphis, TN 38120
 www.tnb.com

ABB Installation Products Technical Support
 MS 3B-50
 860 Ridge Lake Blvd.
 Memphis, TN 38120

Hours: 7AM - 6PM CDT
 Monday-Friday
 Phone: (888) 862-3289
 Fax: (901) 252-1321
 Email:techsupport@tnb.com